

LIMITING STOP IN CASE OF ROD BREAKAGE
 ANSCHLAG BEI GESTAENGEBRUCH
 BUTEE EN CAS DE RUPTURE DE BIELLE
 POSIZIONE D' ARRESTO IN CASO DI ROTTURA DELL' ASTA

ADDITIONAL STROKE
 UEBERHUB
 SURCOURSE
 EXTRACORSA

THERMAL RANGE OF APPLICATION :
 THERMISCHER ANWENDUNGSBEREICH : -40°... +80° C
 GAMME D' APPLICATION THERMIQUE :
 CAMPO DI APPLICAZIONE TERMICA :

MEDIUM : AIR
 MEDIUM : LUFT
 FLUIDE : AIR
 FLUIDO : ARIA

SUPPLY
 VORRAT MAX. pe 13 bar
 ALIMENTATION
 ALIMENTAZIONE

DELIVERY PRESSURE
 AUSGESTEUERTER DRUCK
 PRESSION DELIVREE
 PRESSIONE EROGATA

EXHAUST
 ENTLUEFTUNG
 ECHAPPEMENT
 SCARICO

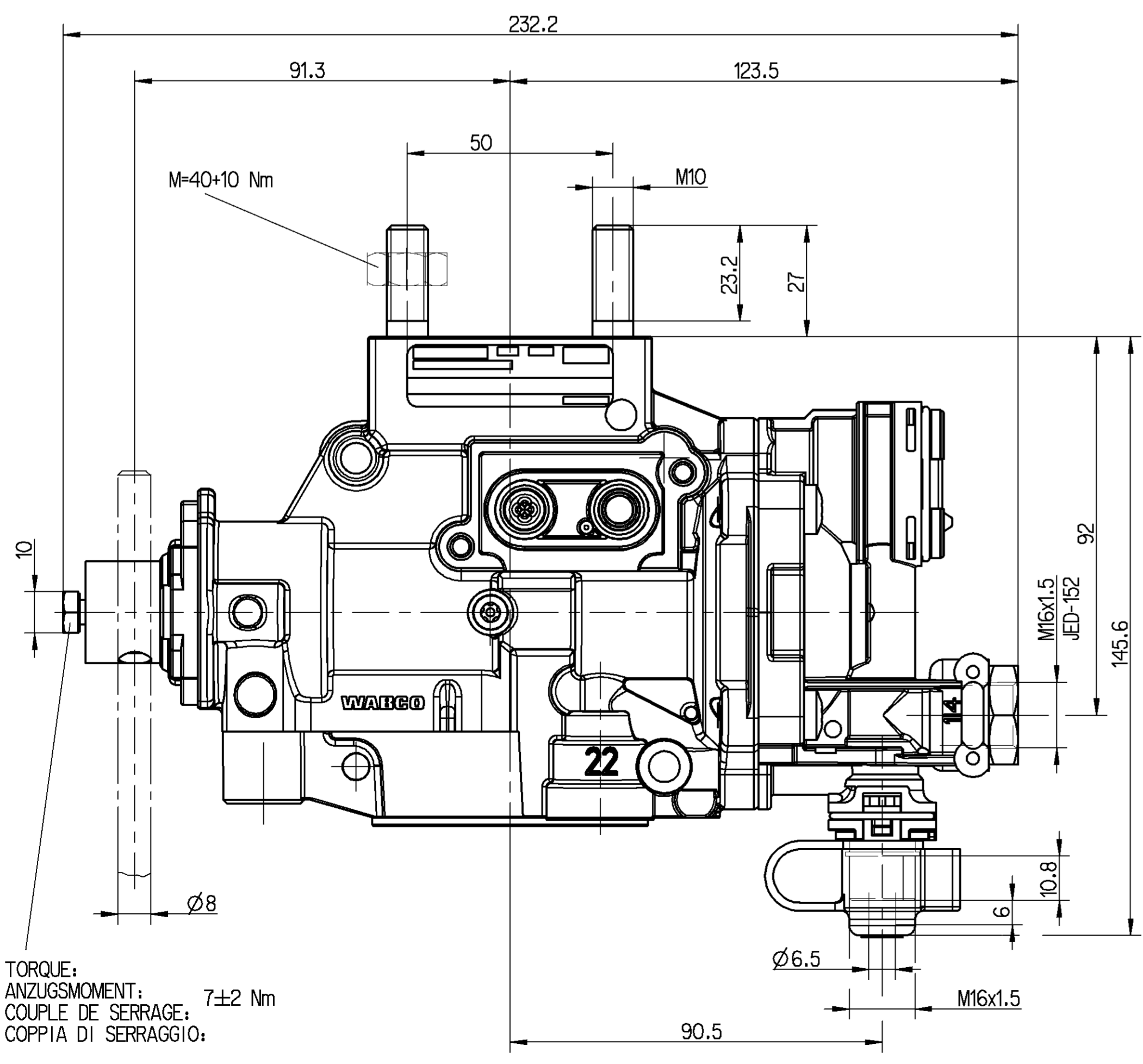
CONTROL PRESSURE
 STEUERDRUCK MAX. pe 10 bar
 PRESSION DE COMMANDE
 PRESSIONE DI COMANDO
 TEMPORARILY
 KURZEITIG MAX. pe 13 bar
 DE COURTE DUREE
 BREVE TEMPO SOLO

INSTALLATION POSITION AS DRAWN
 EINBAULAGE WIE GEZEICHNET
 POSITION D'INSTALLATION SUIVANT DESSIN
 POSIZIONE DI MONTAGGIO COMO DISEGNATO

NECESSARY DISPLACING MOMENT :
 ERFORDERLICHES VERSTELLMOMENT : 1.1 Nm (p4 = 10 bar)
 COUPLE NECESSAIRE AU MOUVEMENT :
 COPPIA DI REGOLAZIONE NECESSARIA:

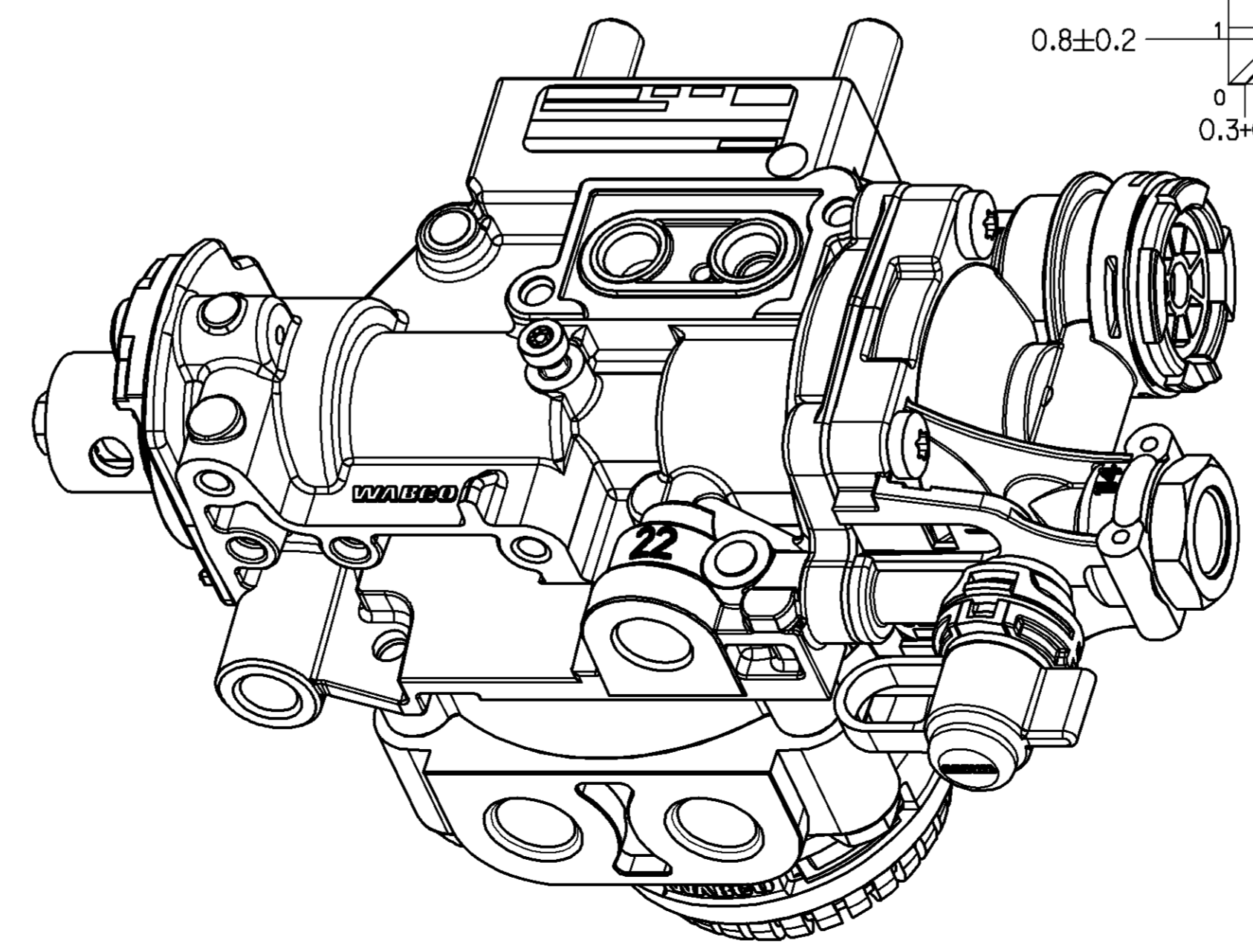
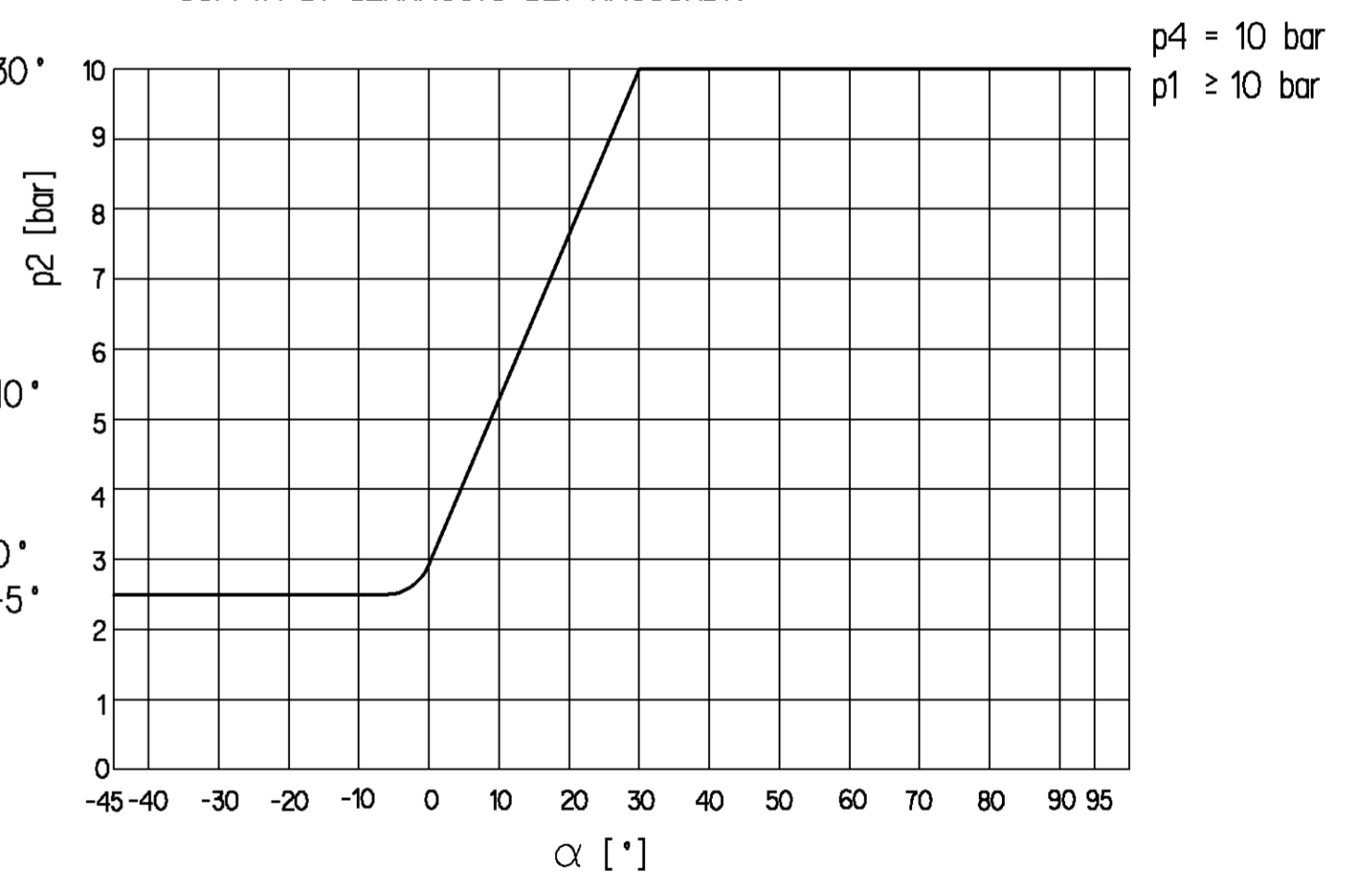
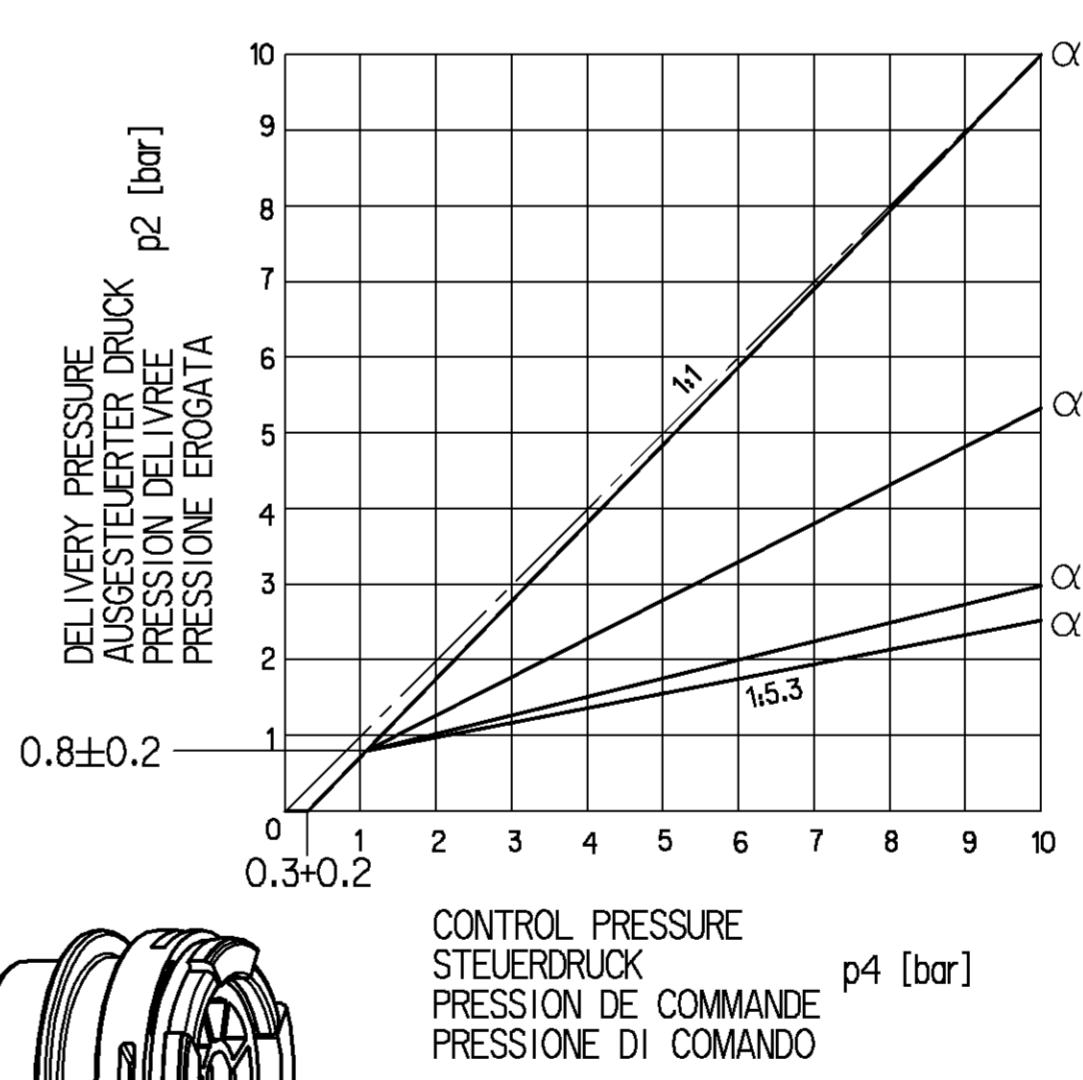
PERMISSIBLE ADJUSTING TORQUE :
 ZULAESSIGES VERSTELLMOMENT : 15 Nm
 COUPLE MAXI ADMIS POUR AJUSTEMENT :
 COPPIA DI REGOLAZIONE AMMESSA :

TORQUE FOR CONNECTIONS:
 ANZUGSMOMENT FUER EINSCHRAUBSTUTZEN: M16 x 1.5 ; Mmax. = 34 Nm
 COUPLE DE SERRAGE DES RACCORDS: M22 x 1.5 ; Mmax. = 53 Nm
 COPPIA DI SERRAGGIO DEI RACCORDI:



TORQUE:
 ANZUGSMOMENT: 7±2 Nm
 COUPLE DE SERRAGE:
 COPPIA DI SERRAGGIO:

STOP
 ANSCHLAG
 BUTEE
 ARRESTO



GENERAL SPECIFICATION: JED-334-0		P/E: ENGINEER'S DRAWING		COPYRIGHT	
FURTHER TECHNICAL DATA:		DATE		SIGNATURE	
DOC. CODE: SHEET: TO		04-10-14		DRAWN: HALKE	
GENERAL TOLERANCES		CHECKED: FALCK		EXPERT CODE: FALCK	
RANGE OF NOMINAL DIMENSIONS (± mm)		742		PRODUCT IDENTIFICATION NO.	
CLASS	1) ≤ 50	2) 50 > 180	3) 180 ≤ 400	4) 400 > 400	± 0.05
FINE	0.5	1.0	1.5	2.0	
MEDIUM	1.0	2.0	3.0	4.0	± 0.1
COARSE	2.0	3.5	5.0	6.5	
TAPPED HOLES ACC. ISO 4039 / JED-152		MASS SCALE		SIZE	
1) TOLERANCE CLASS APPLIED CROSSMARKED		1.6 kg		TR1	
DCN-NO. REV. DATE		A I 530		FUNCTION CODE	
				SHAPE CODE	
				PRODUCT TYPE	
				REPLACEMENT FOR	
				0 0 X	

WABCO
 AUTOM. LOAD-SENSING VALVE
 AUTOM. BREMSKRAFTREGLER
 CORRECTEUR DE FREINAGE AUTOM.
 REGOLATORE DI FRENATURA AUTOM.

475 720 008 0
 605 1/1