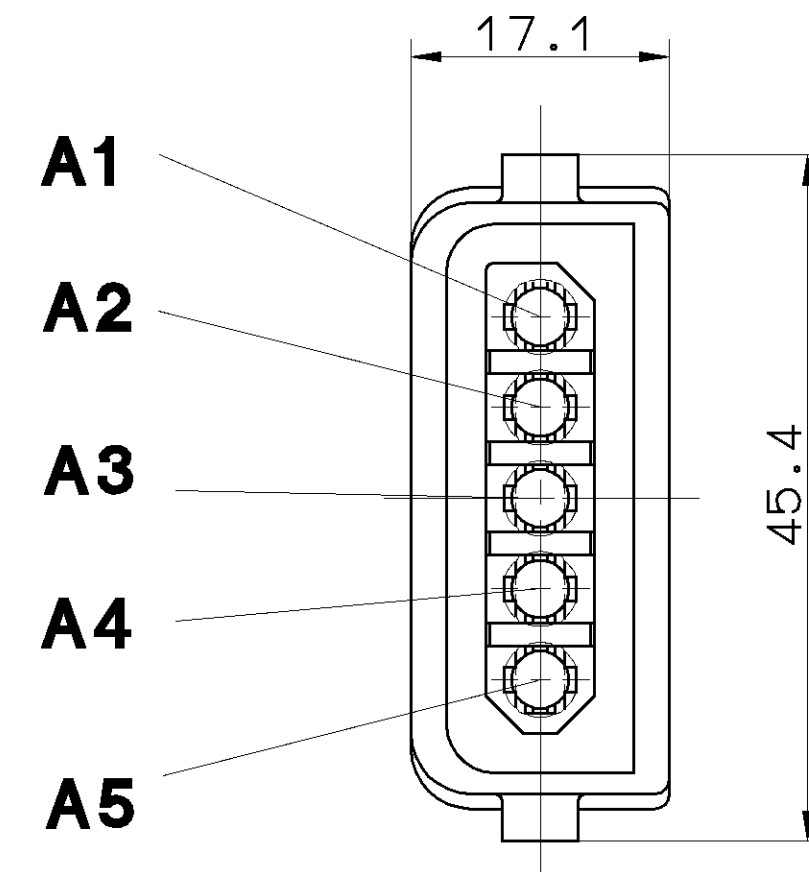
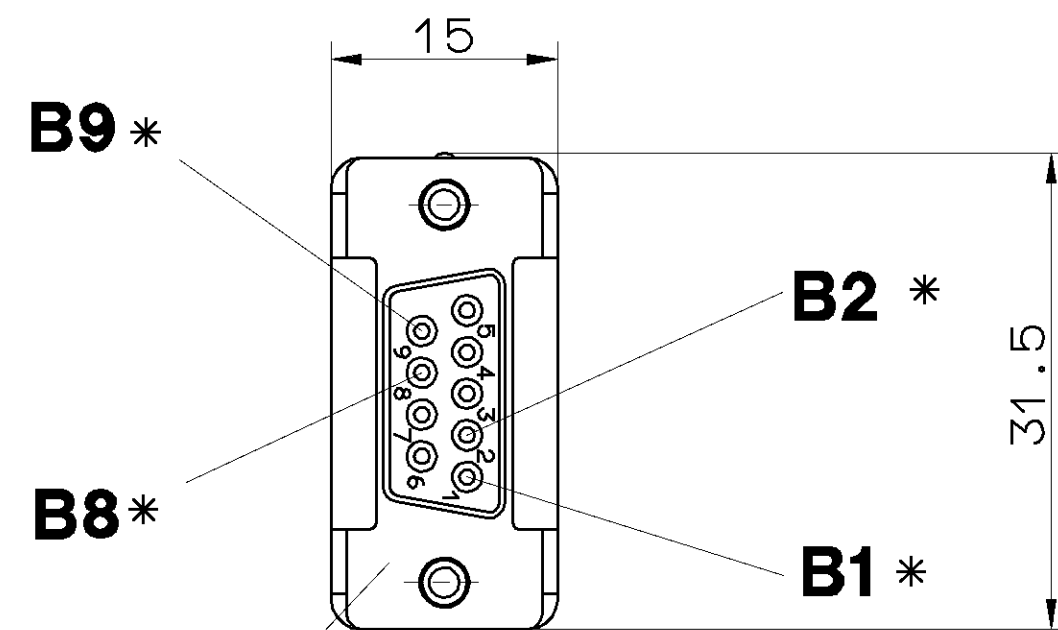


X 2:1



Y 2:1



MATING PART
GEGENSTUECK
PENDANT
ACCOPIAMENTO
DIN 41 652

THERMAL RANGE OF APPLICATION
THERMISCHER ANWENDUNGSBEREICH
GAMME D'APPLICATION THERMIQUE
CAMPO DI APPLICAZIONE TERMICA } -20° C...+60° C

5-CORE CABLE
LEITUNG 5-ADRIG
CABLE A 5-CONDUCTEURS
CAVO A 5-CONDUTTORI } PUR
4x0.5mm² [Ⓟ]

TYPE OF PROTECTION
SCHUTZART
MODE DE PROTECTION
TIPO DI PROTEZIONE } SOCKET
GERAETESTECKDOSE : A IP 67 , IP 69K
PRISE DE COURANT : B IP 30
PRESA DI CORRENTE:

RESISTANT TO
BESTAENDIG GEGEN
RESISTANT A
RESISTENTE A } AIR, WATER, MINERAL OIL, PETROL, DIESELOIL, SALTSpray
LUFT, WASSER, MINERALOEL, BENZIN, DIESELOEL, SALZSPRUEHNEBEL
AIR, EAU, HUILE MINERALE, ESSENCE, GASOIL, BROUILLARD SALIN
ARIA, AQUA, OLIO, MINERALE, BENZINA, GASOLIO, NEBBIA SALINA

SURFACE PROTECTION :
OBERFLAECHENSCHUTZ : gal Sn
PROTECTION DE SURFACE :
PROTEZIONE SUPERFICI :

CHAMBER IN : KAMMER IN : CHAMBRE EN : CAMERA IN :	WIRE COLOUR ADER FARBE FIL COLOUR FILO COLORE	CROSS SECTION QUERSCHNITT SECTION DE TRANSVERSALE SEZIONE TRASVERSALE	CHAMBER IN : KAMMER IN : CHAMBRE EN : CAMERA IN :
A			B
A1	YELLOW GELB JAUNE GIALLO	0.5 mm ²	B8
A2	GREEN GRUEN VERT VERDE	0.5 mm ²	B9
A3	RED ROT ROUGE ROSSO	0.5 mm ²	B1
A4	BROWN BRAUN BRUN MARRONE	0.5 mm ²	B2
A5		NOT CONNECTED NIGHT BELEGT NE PAS CONNECTE(E) NON COLLEGATO(TA)	

First production samples, samples from new or modified moulds or changes of every kind must be approved by Engineering Department.
Teile der ersten Produktion, Teile aus neuen oder geänderten Formenkäusen oder Änderungen jeglicher Art bedürfen der Genehmigung durch die Entwicklungsabteilung.
Les premières pièces de production, les pièces provenant de nouveaux moules ou de moules modifiés, ou toutes autres modifications, doivent être approuvées par le département des études.
Campioni di inizio produzione, campioni ottenuti con stampi nuovi o modificati o con qualsiasi genere di modifica devono essere approvati dall'ufficio tecnico.

GENERAL SPECIFICATION: JED-034	
FURTHER TECHNICAL DATA:	
DOC. CODE:	SHEET: TO
GENERAL TOLERANCES	
RANGE OF NOMINAL DIMENSIONS (± mm)	
CLASS 1)	≤50 ≤180 ≤400 >400
FINE	0,5 1,0 1,5 2,0
MEDIUM	1,0 2,0 3,0 4,0
COARSE	2,0 3,5 5,0 6,5
TAPPED HOLES ACC. ISO 4039 / JED-162	
056147	3xB 98-02-12
056596	1xA 95-07-21
1) TOLERANCE CLASS APPLIED CROSSMARKED	

CADAM-DRAWING COPYRIGHT		WABCO	
DATE	SIGNATURE	DRAWN: 94-09-26 WEBER	
CHECKED: 94-09-26 SCHM/REIN		STANDARDIZATION: 94-09-26 PANTZER	
MASS	SCALE	PRODUCT IDENTIFICATION NO.	
0,4	1:1	446 300 401 0	
SIZE T.R.T. (2:1)		DOC. CODE	SHEET
A 1 142		605	1/1
SHAPE CODE		REPLACEMENT FOR	

EXPERT CODE 774

PRODUCT TYPE 411